



CEDARRIVER
WATER & SEWER DISTRICT

**STANDARD SPECIFICATIONS FOR INSTALLATION OF
REDUCED PRESSURE BACKFLOW ASSEMBLY (RPBA),
UP TO 2”**

**STANDARD SPECIFICATIONS PER CEDAR RIVER WATER & SEWER
PREMISES-ISOLATION CROSS CONNECTION CONTROL PROGRAM
Installation Requirements**

1. The RPBA must be on the State-approved list and installed in compliance with the District's Premise Isolation Cross Connection Control Policy (please see drawing for reference).
2. The state of Washington has adopted the University of Southern California's (USC) 10th edition Approved Backflow Device list as its approved list. A link can be found on the District's website at www.CRWSD.com
3. The RPBA installation must be inspected by District staff. Please call between 7:30 AM & 3:00 PM Monday-Friday to schedule an appointment.
4. Upon installation the RPBA must be tested. If the water meter is locked for required installation, coordinate lock removal with District staff to accommodate test. Initial testing and annual testing thereafter is the responsibility of the property owner.
5. The RPBA must be installed 2 to 5 feet from the water meter, prior to any tap or branch.
6. It is the responsibility of the property owner to maintain established grade adjacent to the water meter.
7. The RPBA must be installed and oriented per manufacturer's recommendation, with minimum clearances to box per manufacturer's requirements (please see drawing).
8. Drainage must be provided per the RPBA's manufacturer's requirements.
9. All test cocks must be plugged or capped.
10. Unions must be installed on both sides of the device to facilitate removal.

Certified Backflow Assembly Testers (BATs)

A link to State-approved BATs can be found on our website at www.crwsd.com

The list is provided merely for the convenience of the water service customers. Cedar River Water & Sewer District makes no representation regarding the skill or quality of service of the testers listed. Furthermore, Cedar River Water & Sewer District does not assume or accept any liabilities for the actions or performance of such testers. Customers are required to use their own judgement with respect to contracting with these or any other testers. The District, however, recommends that you ask potential testers the following questions:

- 1.) Is the tester currently certified?
- 2.) Can the tester repair the device if it fails the test?
- 3.) Does the tester have a business license and insurance?
- 4.) Will the tester submit results to the District on your behalf?

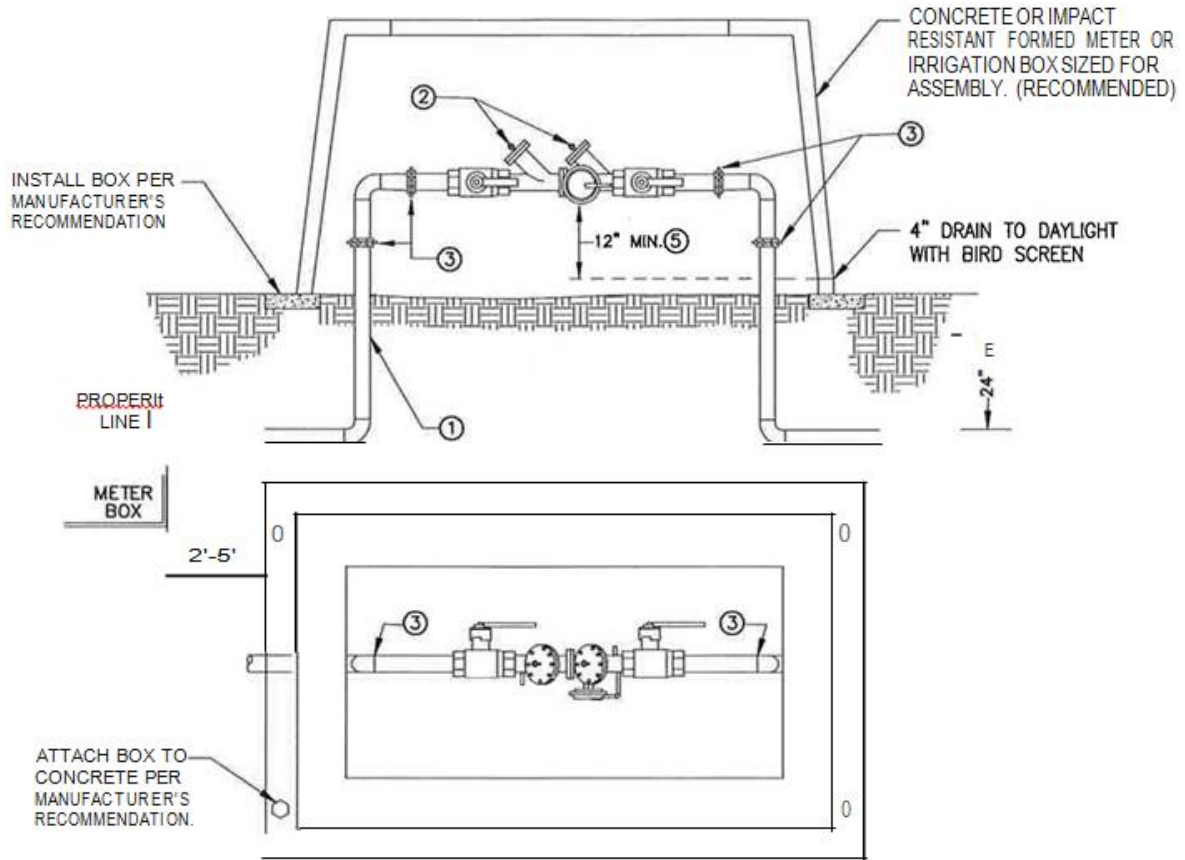
The State requires the test results to be on file at the District office. Please fax, email, hand deliver or mail a copy of the completed test results to Cedar River Water & Sewer District, as soon as possible after the testing of the backflow assembly device. Annual testing is due May 31st. Testing upon initial installation is due the day of the test.

Our address:
Cedar River Water & Sewer District
P.O. Box 1040
Maple Valley, WA 98038-1040
Office: (425)255-6370
Fax: (425)228-4880
Email: backflow@crwsd.com

Before you contact a BAT to test your device, be prepared to provide the following information:

- 1) Device manufacturer such as: Conbraco, Febco, Watts, Wilkens, etc.
- 2) Model number such as: 805Y, 950XL, 007M2PCQt, 40-108-A2T, etc.
- 3) Device location with any instructions should access be limited.

The information above should be attached to the device.



RPBA ABOVE GROUND INSTALLATION

- * RPBA—BOX SHALL BE LOCATED IMMEDIATELY DOWNSTREAM OF WATER METER BOX PRIOR TO ANY BRANCH CONNECTIONS, WITH NO MORE THAN 2'-5' BETWEEN BOXES.
- * RPBA MUST BE PURCHASED AND INSTALLED AS A UNIT. NO MODIFICATIONS TO ANY PART OF THE ASSEMBLY ARE ALLOWED.
- * FREEZE PROTECTION IS THE RESPONSIBILITY OF THE OWNER AND SHALL NOT INTERFERE WITH OPERATION OR TESTING OF THE ASSEMBLY.

NOTES:

- ① PIPING FROM SERVICE LINE TO RPBA MUST BE COPPER OR BRASS.
- ② TEST COCKS MUST BE PLUGGED OR CAPPED.
- ③ UNIONS MUST BE INSTALL VERTICALLY OR HORIZONTALLY TO ACCOMMODATE REMOVAL.
- ④ AFTER INSTALLATION OF BACKFLOW ASSEMBLY, THE CONTRACTOR OR INSTALLER WILL CALL THE DISTRICT FOR AN INSPECTION BY A DISTRICT CROSS-CONNECTION CONTROL SPECIALIST.
- ⑤ MINIMUM 12" GAP FROM BOTTOM OF RELIEF PORT TO TOP OF DAYLIGHT DRAIN.

REDUCED PRESSURE BACKFLOW ASSEMBLY (3/4" - 2" ASSEMBLIES)